

# XVM1 SERIES: Pressurized Valve Mount System



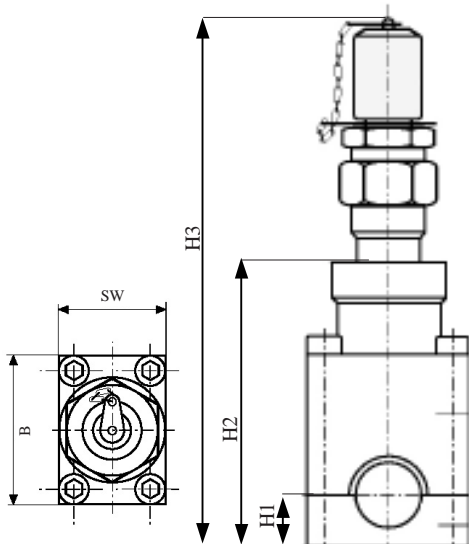
Predictive Maintenance Corporation Inc.  
 Toll Free: 1-800-461-8378  
 Phone: 514-383-6330  
 Fax: 514-383-5631  
 tribologik@pmaint.com  
 www.pmaint.com



•Quick •Convenient •Safe

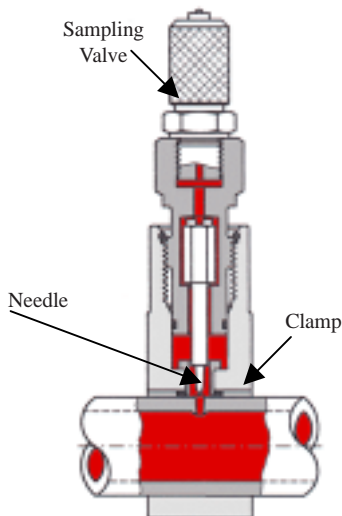
- Add oil sampling and pressure measuring connections without interrupting plant operation.
- After installation connection can stand up to 9000psi (620 bar)
- Installation in only a few minutes.
- No special tools required.
- System is fully sealed off, no external contamination.
- No cutting open pipes or special adapters required.

## Technical



Part #	H1	H2	H3	B	SW
XVM1-38	0.59" (15mm)	2.71" (69mm)	5.04" (128mm)	1.58" (40mm)	1.18" (30mm)
XVM1-12	0.59" (15mm)	2.76" (70mm)	5.08" (129mm)	1.58" (40mm)	1.18" (30mm)
XVM1-58	0.59" (15mm)	2.83" (72mm)	5.16" (131mm)	1.58" (40mm)	1.18" (30mm)
XVM1-34	0.79" (20mm)	3.09" (78.5mm)	5.41" (137.5mm)	1.97" (50mm)	1.18" (30mm)
XVM1-1	0.79" (20mm)	3.23" (82mm)	5.55" (141mm)	1.97" (50mm)	1.18" (30mm)
XVM1-114	1.18" (30mm)	3.74" (95mm)	6.06" (154mm)	2.56" (65mm)	1.18" (30mm)
XVM1-112	1.18" (30mm)	3.86" (98mm)	6.18" (157mm)	2.56" (65mm)	1.18" (30mm)

Part #	H1	H2	H3	B	SW
XVM1-10LS	0.59" (15mm)	2.72" (69mm)	5.04" (128mm)	1.58" (40mm)	1.18" (30mm)
XVM1-12LS	0.59" (15mm)	2.76" (70mm)	5.08" (129mm)	1.58" (40mm)	1.18" (30mm)
XVM1-14S	0.59" (15mm)	2.8" (71mm)	5.12" (130mm)	1.58" (40mm)	1.18" (30mm)
XVM1-15L	0.59" (15mm)	2.82" (71.5mm)	5.14" (130.5mm)	1.58" (40mm)	1.18" (30mm)
XVM1-16S	0.59" (15mm)	2.84" (72mm)	5.16" (131mm)	1.58" (40mm)	1.18" (30mm)
XVM1-18L	0.59" (15mm)	2.87" (73mm)	5.2" (132mm)	1.58" (40mm)	1.18" (30mm)
XVM1-20S	0.79" (20mm)	2.91" (74mm)	5.24" (133mm)	1.97" (50mm)	1.18" (30mm)
XVM1-22L	0.79" (20mm)	2.95" (75mm)	5.27" (134mm)	1.97" (50mm)	1.18" (30mm)
XVM1-25S	0.79" (20mm)	3" (76.5mm)	5.33" (135.5mm)	1.97" (50mm)	1.18" (30mm)
XVM1-28L	0.79" (20mm)	3.07" (78mm)	5.39" (137mm)	1.97" (50mm)	1.18" (30mm)
XVM1-30S	1.18" (30mm)	3.11" (79mm)	5.83" (148mm)	2.56" (65mm)	1.18" (30mm)
XVM1-35L	1.18" (30mm)	3.21" (81.5mm)	5.53" (140.5mm)	2.56" (65mm)	1.18" (30mm)
XVM1-38S	1.18" (30mm)	3.27" (83mm)	5.59" (142mm)	2.56" (65mm)	1.18" (30mm)
XVM1-42L	1.18" (30mm)	3.35" (85mm)	5.67" (144mm)	2.56" (65mm)	1.18" (30mm)



## Pipe Requirements

Seamless drawn steel pipes made out of ST 35.4 material or pretreated basic material ST 37.4 according to DIN 1630. Condition when supplied NBA (normalising, bright annealed) with outer pipe diameter tolerances according to DIN 2391, maximum hardness: HRB 75. Construction dimensions of the Valve Mount System are adapted to the pipes and tolerances according to DIN 2391.

## Materials

Component	Material
Housing	Steel
Sealing Shell	Steel
Seal	Viton™
Measuring Needle	Steel



- Pipe should be in good condition and have the proper diameter. **Do not use in air or gas pipes.**
- Pipe location should not add extra stress or tension on the valve mount.
- Remove paint and clean pipe so that the pipe is smooth, clean and dry.



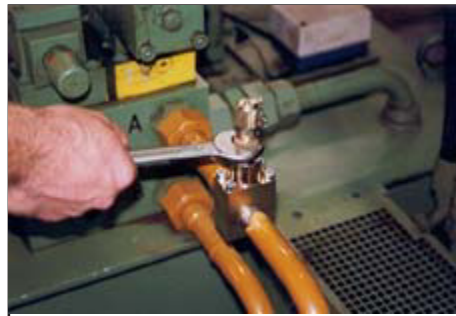
- Clamp the valve mount to the pipe



- Screw down clamp bolts



- Using an open jawed wrench (without extension), screw in head joint in clockwise direction as far as it will go.



- Using an open jawed wrench (without extension), screw back head joint in counter-clockwise direction.



- The system is ready for use.

### Order Numbers

Part #	Description
XVM1-38	Pressurized Valve Mount 3/8"
XVM1-12	Pressurized Valve Mount 1/2"
XVM1-58	Pressurized Valve Mount 5/8"
XVM1-34	Pressurized Valve Mount 3/4"
XVM1-1	Pressurized Valve Mount 1"
XVM1-114	Pressurized Valve Mount 1 1/4"
XVM1-112	Pressurized Valve Mount 1 1/2"

Part #	Description
XVM1-10LS	Pressurized Valve Mount 10 L&S
XVM1-12LS	Pressurized Valve Mount 12 L&S
XVM1-14S	Pressurized Valve Mount 14S
XVM1-15L	Pressurized Valve Mount 15L
XVM1-16S	Pressurized Valve Mount 16S
XVM1-18L	Pressurized Valve Mount 18L
XVM1-20S	Pressurized Valve Mount 20S
XVM1-22L	Pressurized Valve Mount 22L
XVM1-25S	Pressurized Valve Mount 25S
XVM1-28L	Pressurized Valve Mount 28L
XVM1-30S	Pressurized Valve Mount 30S
XVM1-35L	Pressurized Valve Mount 35L
XVM1-38S	Pressurized Valve Mount 38S
XVM1-42L	Pressurized Valve Mount 42L

See our website for sampling locations and instructions.  
[www.pmaint.com](http://www.pmaint.com)

**Predictive Maintenance Corporation**  
 8330 Decarie  
 Montreal, QC  
 H4P 2P5  
 CANADA

**Toll Free: 1-800-461-TEST(8378)**  
**Phone: (514) 383-6330**  
**Fax: (514) 383-5631**  
**Email: [tribologik@pmaint.com](mailto:tribologik@pmaint.com)**  
**Web: [www.pmaint.com](http://www.pmaint.com)**

